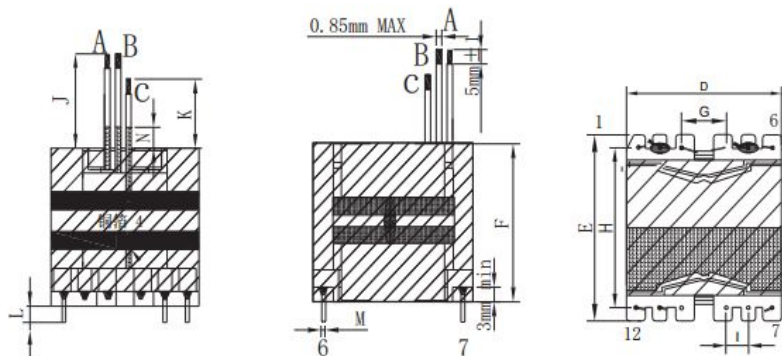


CUSTOMER TERMINAL	ROHS	Lead(Pb)-free
	YES	YES

## 1. Mechanical Dimensions



D	29.5	MAX
E	30.5	MAX
F	23.5	MAX
G	7.6	±0.3
H	25.4	±0.4
I	3.8	±0.3
J	45.0	±2.0
K	38.0	±2.0
L	3.5	±0.5
M	0.6	±0.1
N	10.0	±2.0

## 3. Material List

Core:FW95 PQ2620

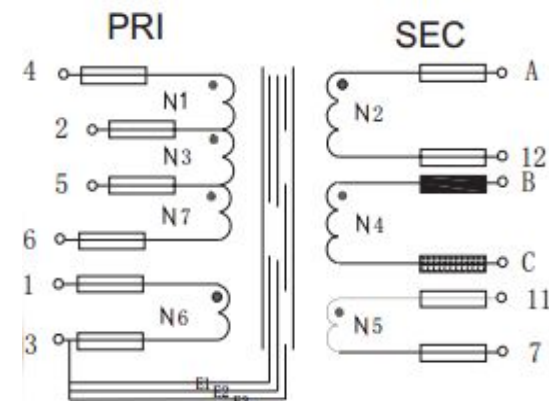
Bobbin:FWB2601(6+6PIN)

Wire:2UEW TIW LITZ

Copper foil: 0.025t\*5.0/8.0mm

Operating Temperature: -30 to115 °C

## 2. Schematic Diagram



## 4. Electrical Specification

Inductance: L(4-6):500uH±5% 60KHZ 、 1V

Leakage Inductance : 8uH MAX 60KHZ 、 1V

DCR:(4-6)=0.72ΩMAX

Hi-Pot:P-S: AC 60Hz 4000V 1.0mA 3S

P-CORE: AC 60Hz 1000V 1.0mA 3S

REV.	DATE	<p>Convention Placement</p>	DRW.		Drawing Title:	Part No:
0	00/00		CHK.			
ROHS			<a href="http://www.ferriwo.com">www.ferriwo.com</a>	APP.		Customer P/N